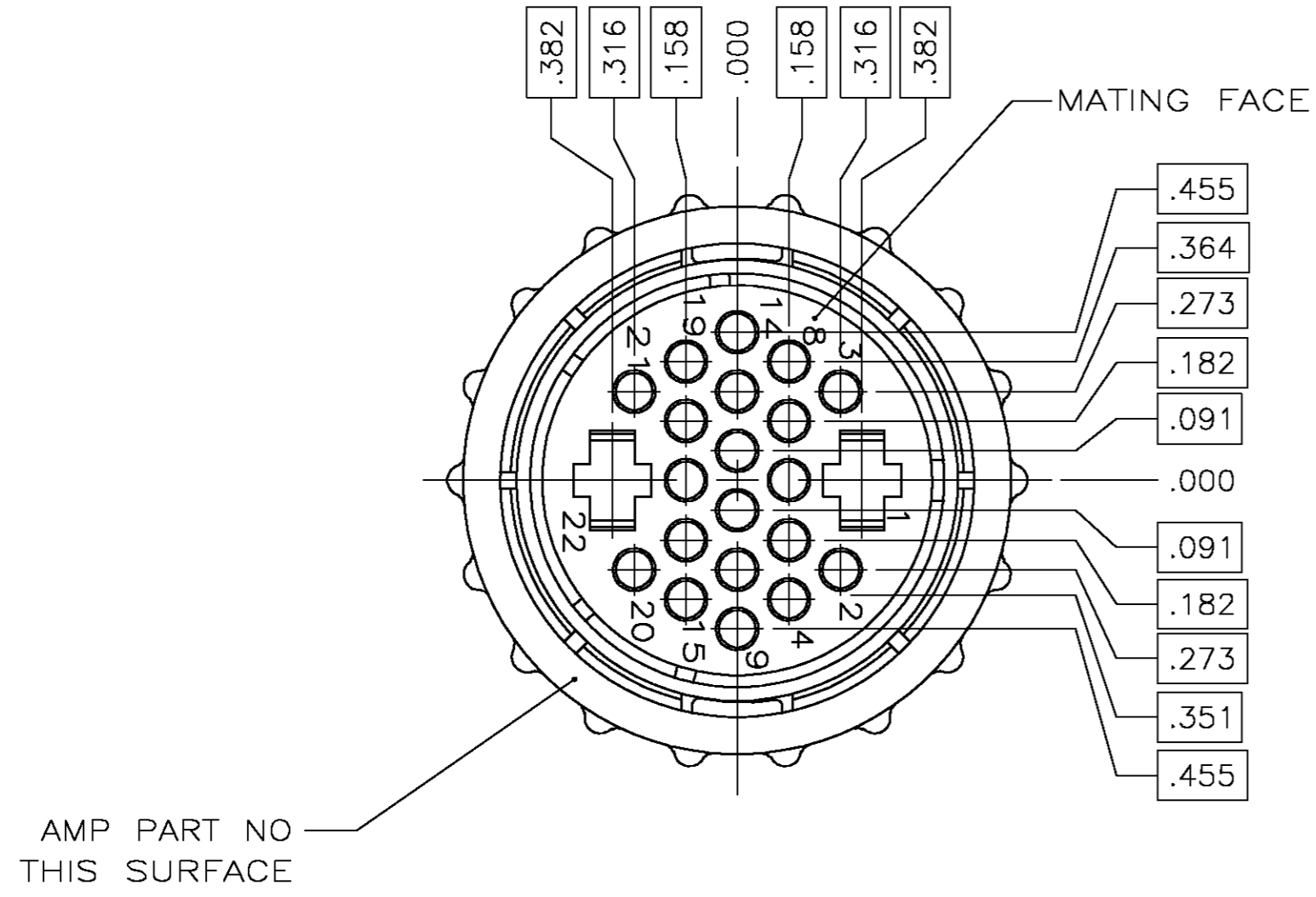
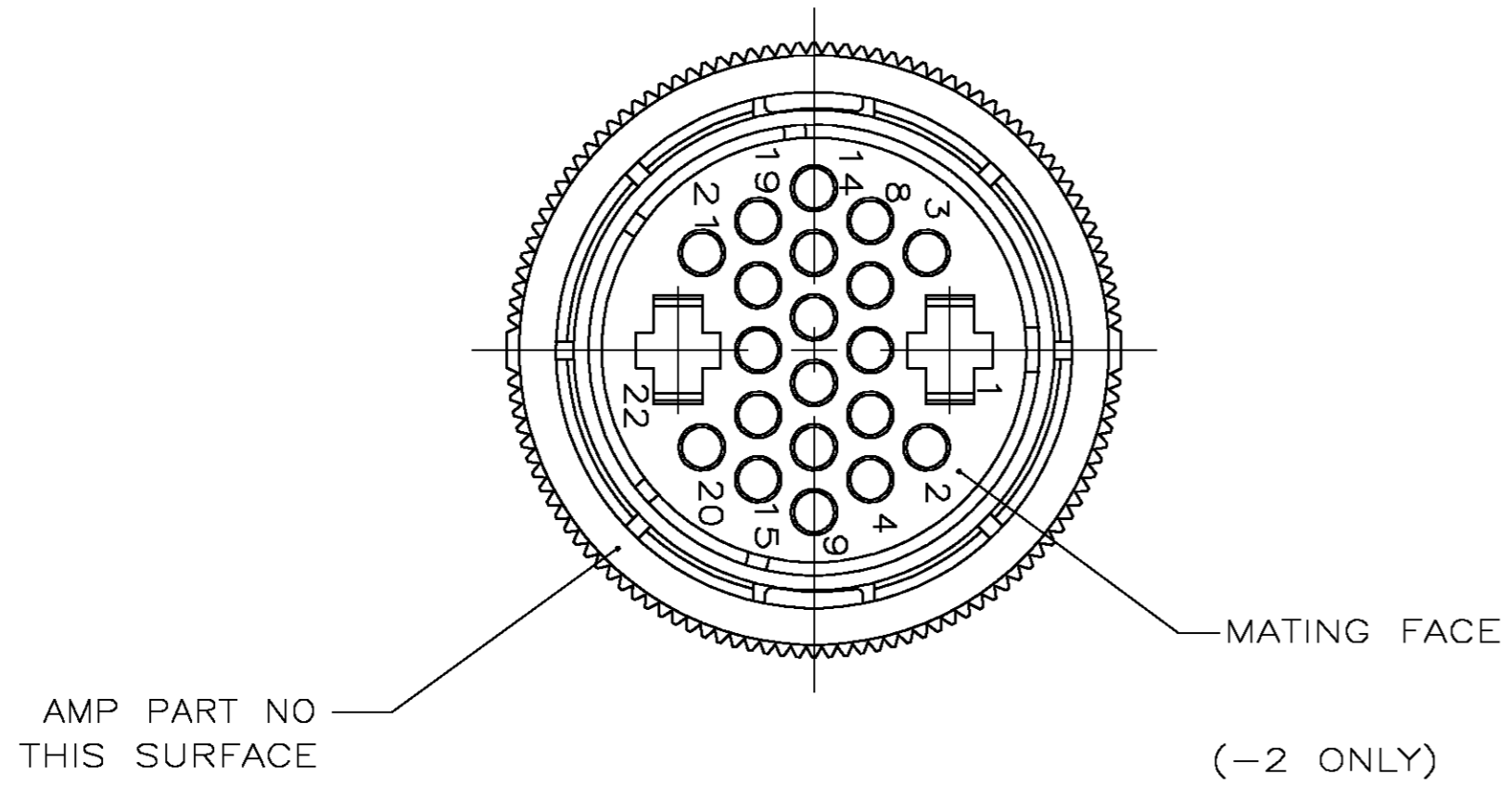


THIS DRAWING IS UNPUBLISHED. RELEASED FOR PUBLICATION
 © COPYRIGHT BY TYCO ELECTRONICS CORPORATION. ALL RIGHTS RESERVED.

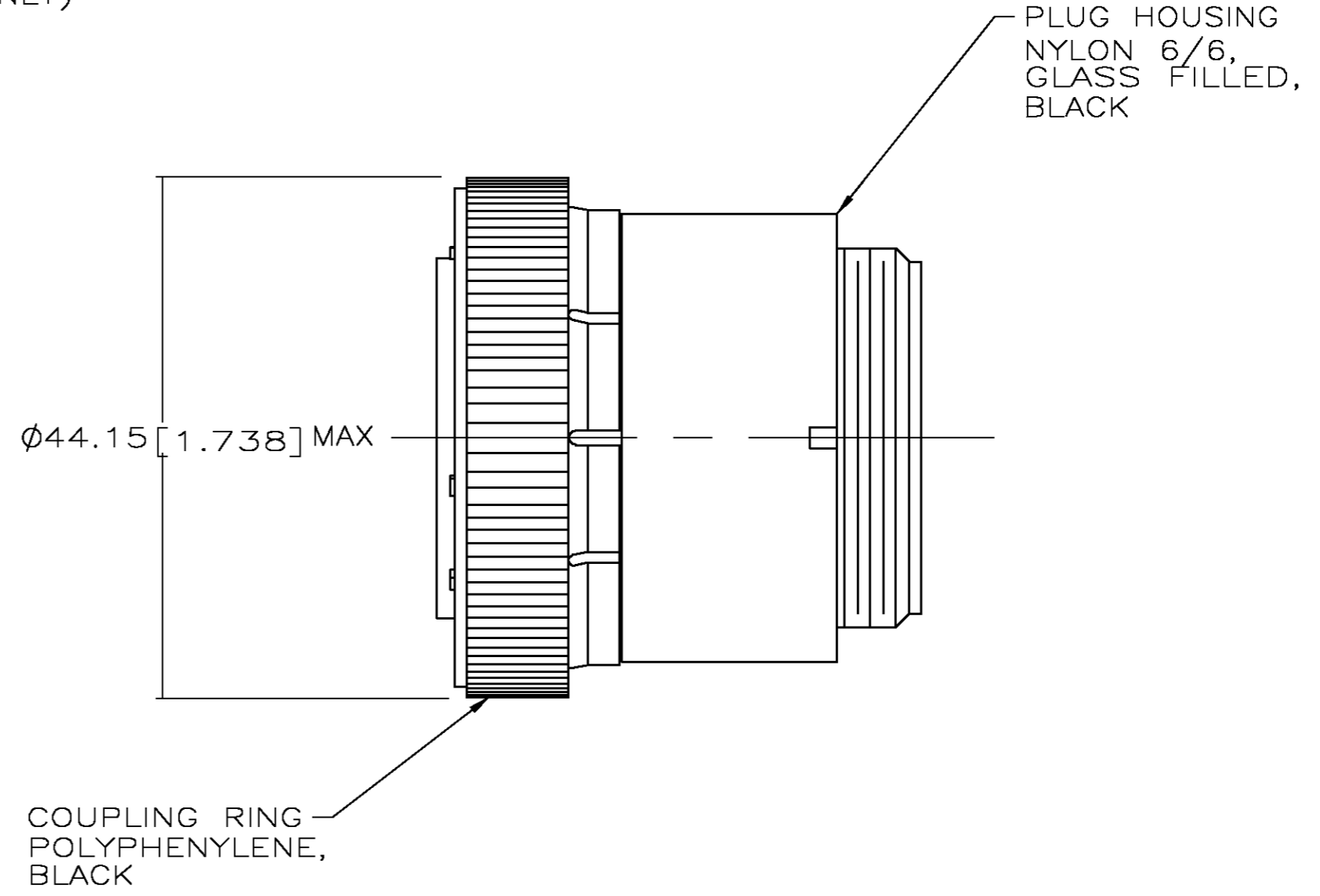
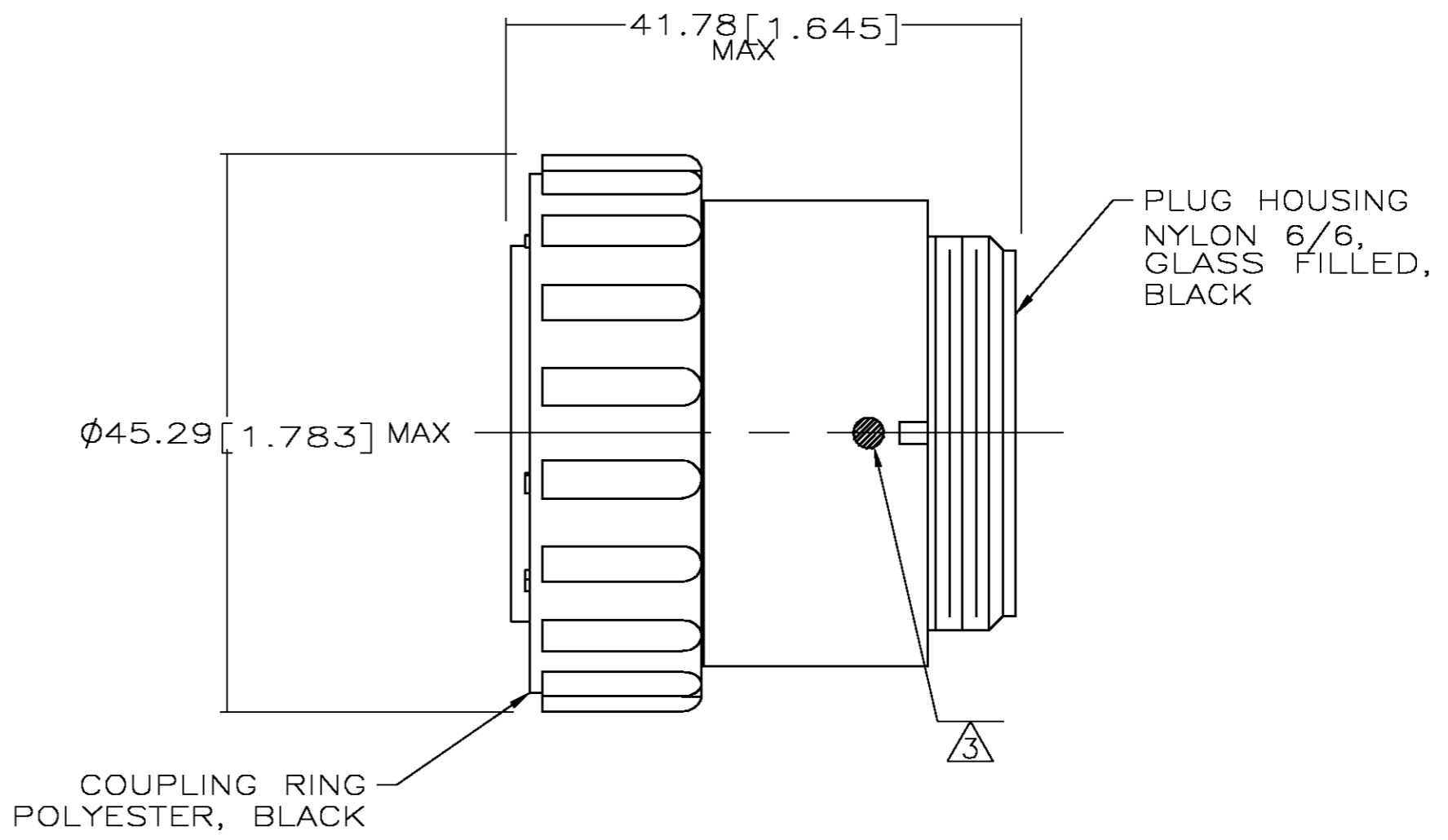
LOC		DIST		REVISIONS			
P	LTR	DESCRIPTION	DATE	DWN	APVD		
FT	0	G	REVISED PER 0G3B-0426-03	7/11/03	SH	SS	



(-1 AND -3 ONLY)



(-2 ONLY)



- NOTES:**
- CONTACT CAVITIES IDENTIFIED BY CHARACTERS ON FRONT AND REAR FACES OF CONNECTOR.
 - WILL ACCEPT (20) MULTIMATE & (2) TYPE XII SOCKET CONTACTS.
- ⊠ WHITE DOT ONLY APPEARS ON 206612-3 ASSEMBLY.
- ⊠ PRELIMINARY PART NUMBER.

⊠	206612-3
	206612-2
	206612-1
	PART NUMBER

THIS DRAWING IS A CONTROLLED DOCUMENT.		DWN S. RIDGLEY 31 JUL 90	Tyco Electronics Corporation	
DIMENSIONS: INCHES		CHK R. STONE 26 APR 91	Harrisburg, PA 17105	
TOLERANCES UNLESS OTHERWISE SPECIFIED:		APVD K. BEAVER 03 APR 91	NAME	
0 PLC ± -		108-10024		
1 PLC ± -		PRODUCT SPEC		
2 PLC ± -		APPLICATION SPEC		
3 PLC ± -		SIZE CAGE CODE DRAWING NO RESTRICTED TO		
4 PLC ± -		A2 00779 C=206612 -		
ANGLES ± -		SCALE 2:1 SHEET 1 OF 1 REV G		
FINISH -		CUSTOMER DRAWING		